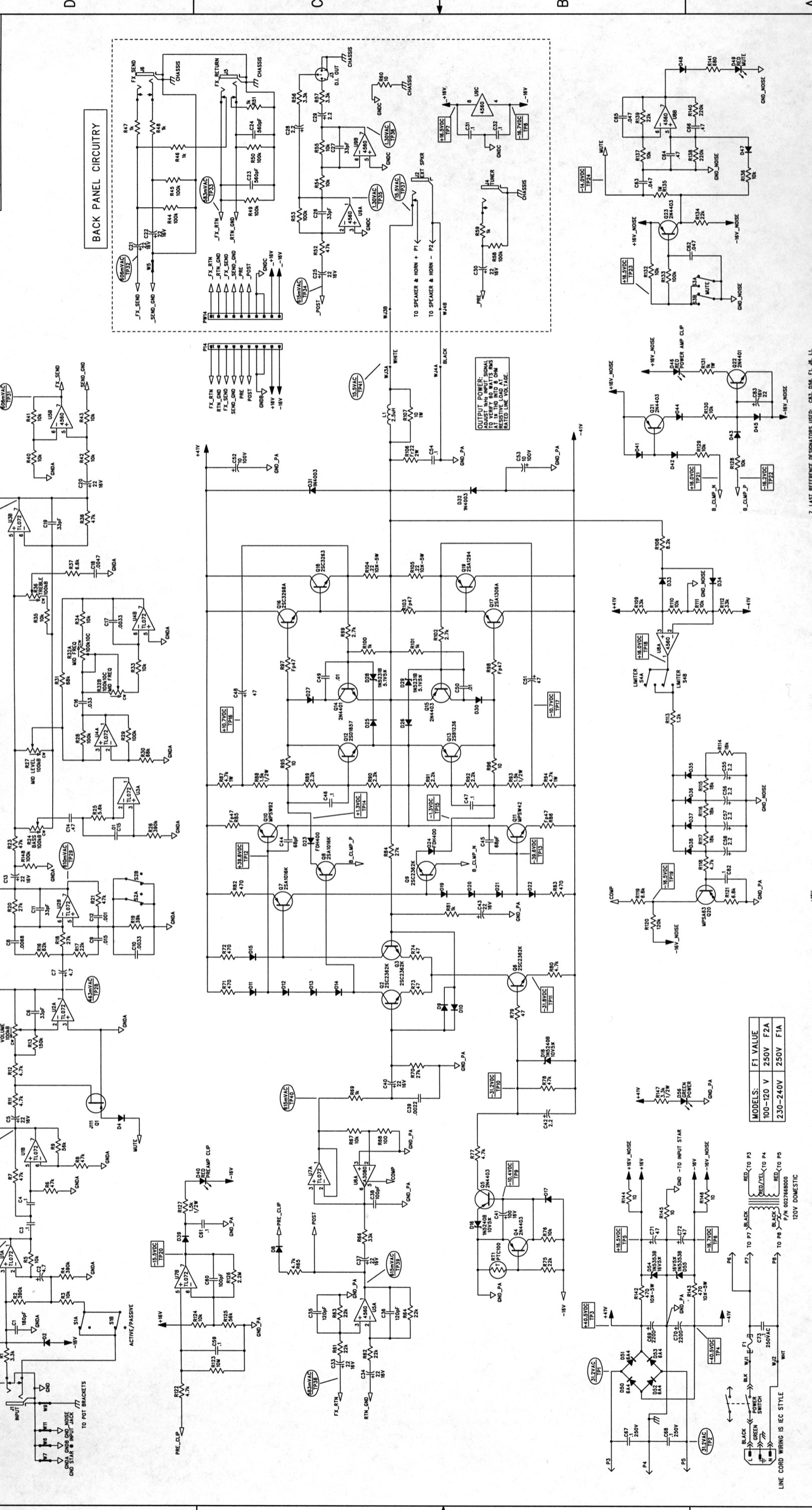


REV.	DESCRIPTION	DATE	APPROVED
A	PR421	03-SEP-99	S.B.
B	EC 2382	15-DEC-99	S.B.



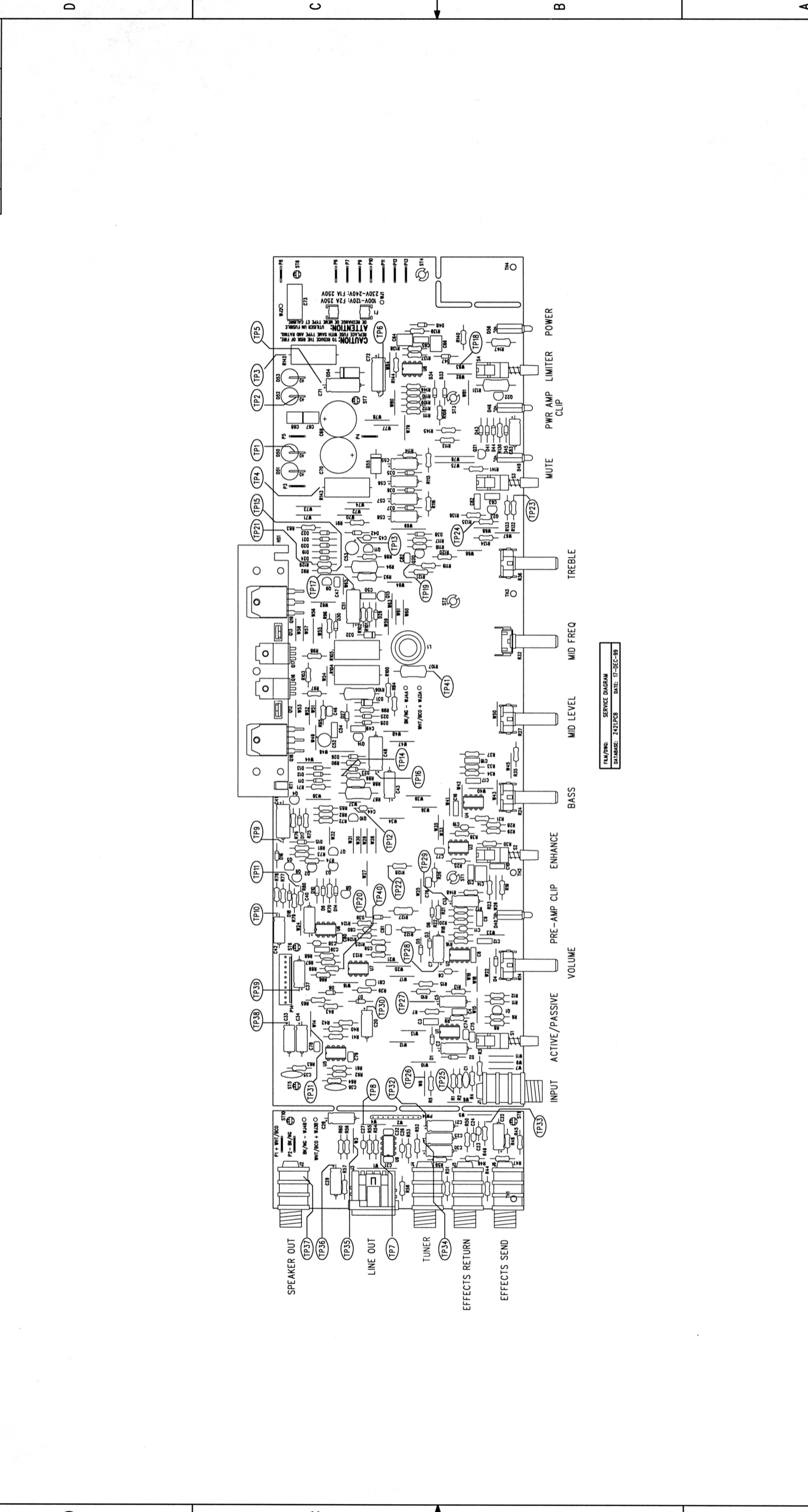
MUSICAL INSTRUMENTS
2621 Research Drive
Corona, CA 91720 USA

DATE: 12-30-99
CHECKED BY: S.B. (signature)
APPROVED BY: S.B. (signature)
DRAWN: S.B. (signature)
SIZE: D
DRAWING NUMBER: 005564800
REV.: B

RELEASE DATE: 03-SEP-99
SHEET: 1 OF 2

7. LAST REFERENCE DESIGNATORS USED: C81, D54, F1, J6, L1.
8. AC AND DC MEASUREMENTS READ TO GROUND WITH A DVM UNIT IS POWERED AT RATED LINE VOLTAGE AND FREQUENCY. POWER CONNECTED TO P1A.
9. ENHANCE, MUTE, AND LIMITER SWITCHES OUT AND INPUT SIGNALS FOR TP-1P24.
10. ADDITIONAL DIMENSIONS FOR INPUT TO #1.
11. THIS SCHEMATIC IS FOR PCB FABRICATION P/N 0055648000 AND ALL DIMENSIONS ARE IN MM/48.
12. ALL POLARIZED CAPACITORS IN #1, 204, 50V MINIMUM. (POWER SUPPLY BYPASS CAPACITORS ARE 204).
13. ALL RESISTORS IN OHMS, 5% 1/4W.
NOTES: (UNLESS OTHERWISE NOTED)

REVISIONS			
REV.	DESCRIPTION	DATE	APPROVED
A	PR 421	03-SEP-99	S.B.
B	EC 2382	17-DEC-99	S.B.



FILM/PRINT: SERVICE DIAGRAM
 DATABASE: Z421PCB DATE: 17-DEC-99

THIS DOCUMENT CONTAINS INFORMATION OF A PROPRIETARY NATURE TO FENDER MUSICAL INSTRUMENTS AND IS SUBMITTED TO YOU IN CONFIDENCE AND SHALL NOT BE DISCLOSED OR REPRODUCED IN ANY MANNER WITHOUT THE WRITTEN PERMISSION OF FENDER MUSICAL INSTRUMENTS.

CHECKED BY: *D. Wilson*
 DATE: 20-DEC-99
 APPROVED BY: *S. Bushwood*
 DATE: 12-20-99
 DRAWN: S. Bushwood ENGR: S. Bushwood
 DATABASE FILE: z421pcb

MUSICAL INSTRUMENTS
 2621 Research Drive
 Corona, CA 91720 USA

TITLE: SERVICE DIAGRAM, COMBINED (PCB 60SSY)
 BASSMAN 60 AMPLIFIER

SIZE: DRAWING NUMBER: D 0055648000
 REV. B
 RELEASE DATE: 03-SEP-99 SHEET 2 OF 2

1. SEE SHEET 1 FOR PRIMARY WIRING, TEST CONDITIONS, AND TEST POINT VALUES
 NOTES: (UNLESS OTHERWISE NOTED)